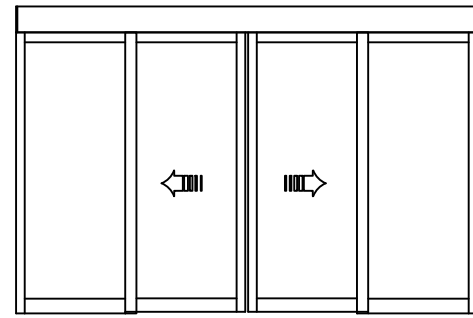
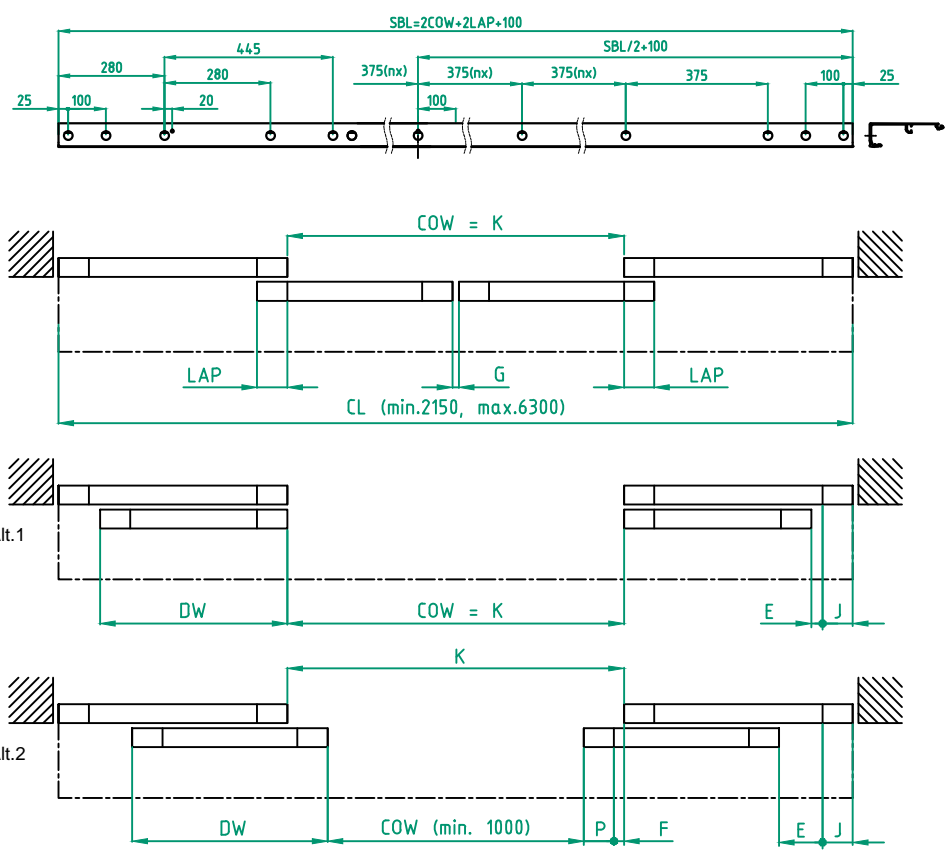
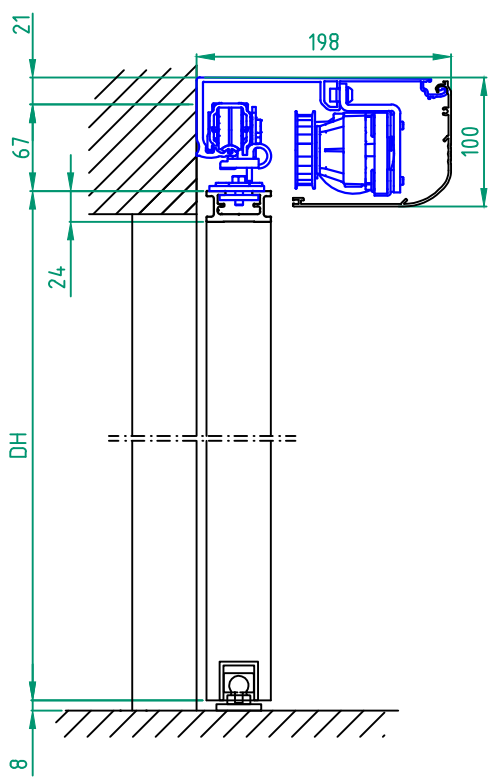


© All rights in and to this material are the sole property of Entrematic AB. Rights reserved for changes without prior notice. Copying, scanning, alterations or modifications are expressly forbidden without the prior written consent of Entrematic AB.



STATE WHEN ORDERING

- COW = mm
- CL = mm
- SBL = mm
- LAP = mm
- G = mm
- DW = mm
- Door Weight = kg

- Surface treatment
- Silver anodized
 - Special anodized
 - RAL
 - Special powder coating
 -

	Alt.1	Alt.2	
Overlap (min. 20mm)	LAP	LAP x2 =
Finger protection (min. 25mm)	E	E x2 =
Finger protection (min. 25mm)	-	F x2 =
Jamb width (min. 30mm)	J	J x2 =
Leading edge width	-	P x2 =
Sum of above			Sum =

Alt.1 COW = K	K =	(K + 2LAP) / 2 = DW	DW =
Alt.2 COW + 2P + 2F = K	K =		DW =
Cover length CL	(CL - Sum) / 2 =		= COW max.
Door travel COW	(COW x2) + Sum =		= CL min.

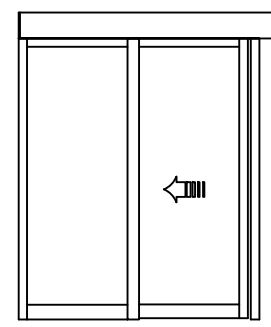
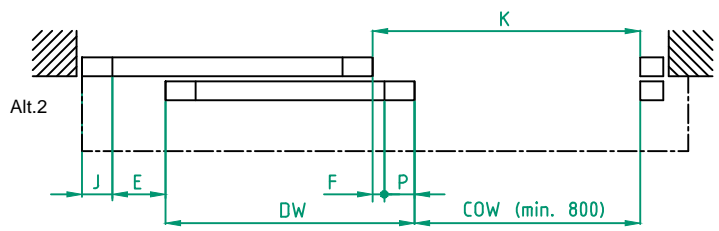
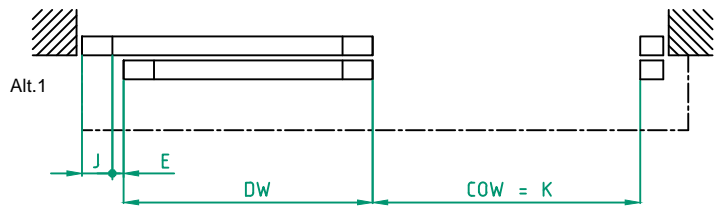
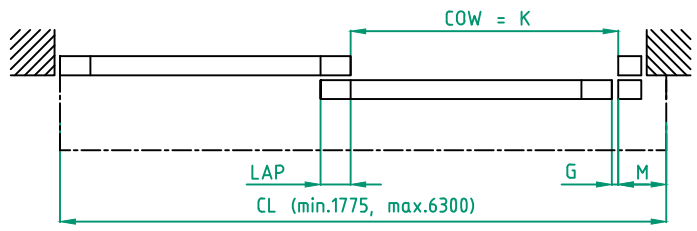
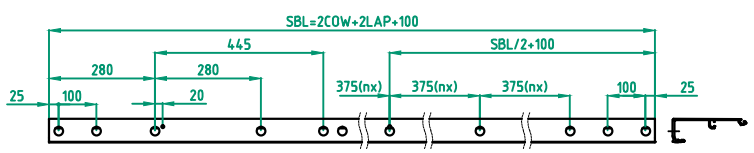
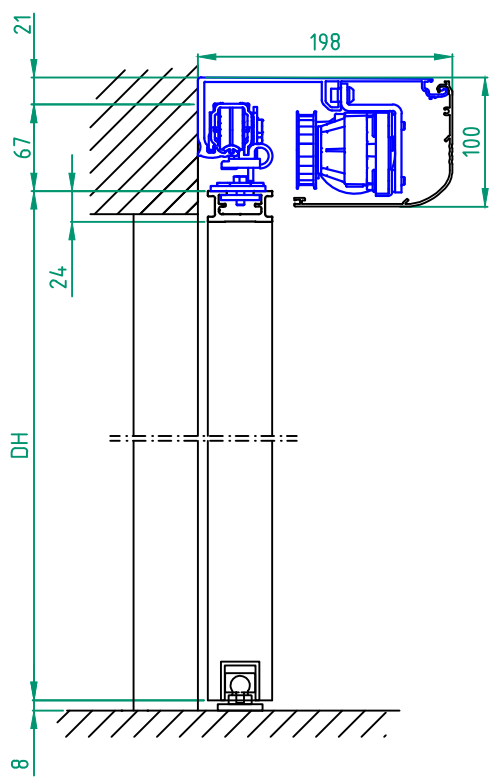
Customer:	Ref:
Door id:	Date:
Project No:	Sign:

Sliding door operator
EM PSL100 Bi-Part

ENTRE MATIC

2.0 1013368-EME1

© All rights in and to this material are the sole property of Entrematic AB. Rights reserved for changes without prior notice. Copying, scanning, alterations or modifications are expressly forbidden without the prior written consent of Entrematic AB.



STATE WHEN ORDERING

- COW = mm
- CL = mm
- SBL = mm
- LAP = mm
- G = mm
- DW = mm
- Door Weight = kg

Surface treatment

- Silver anodized
- Special anodized
- RAL
- Special powder coating

	Alt.1	Alt.2	
Overlap (min. 20mm)	LAP	LAP
Finger protection (min. 25mm)	E	E
Finger protection (min. 25mm)	-	F
Jamb width (min. 30mm)	J	J
Cover overlap (min. 100mm)	M	M
Leading edge width	-	P
Sum of above	Sum =.....		

Alt.1 COW = K	K=	K + LAP = DW	DW =
Alt.2 COW + P + F = K	K=		
Cover length CL	(CL - Sum) / 2 = = COW max.		
Door travel COW	(COW x2) + Sum = = CL min.		

Customer: _____

Door id: _____

Project No: _____

Ref: _____

Date: _____

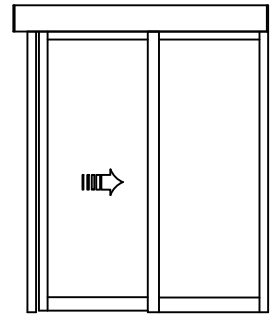
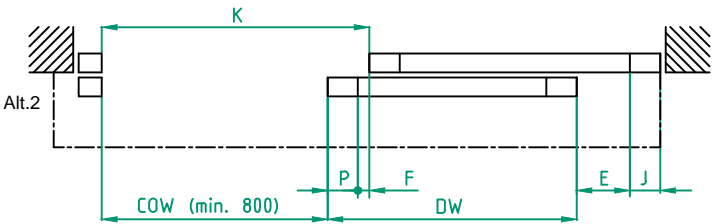
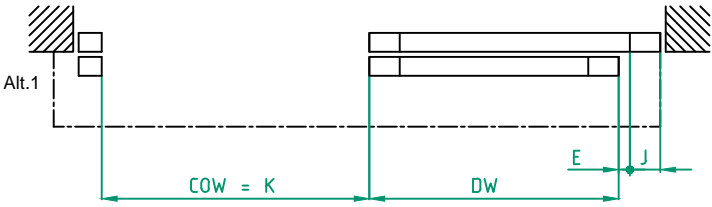
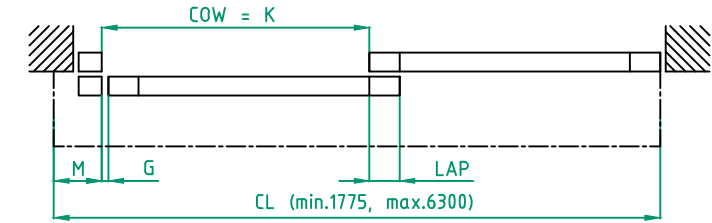
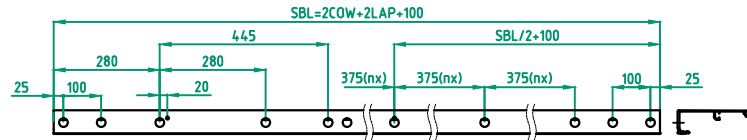
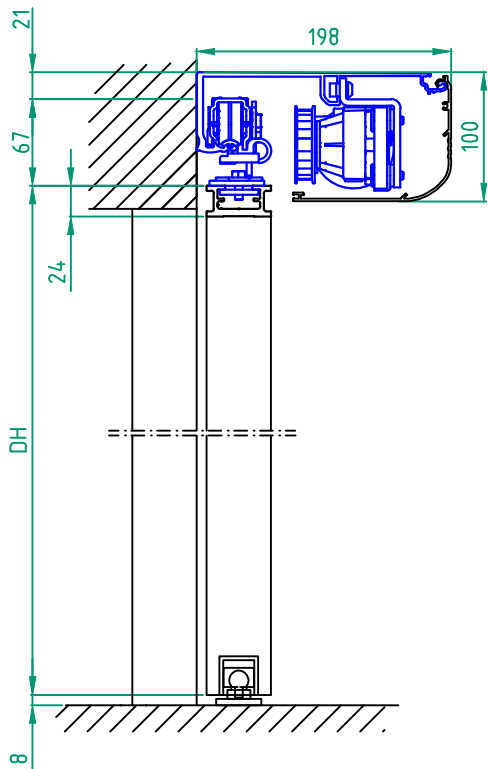
Sign: _____

Sliding door operator
EM PSL100 Single

ENTREMATIC

2.0 1013368-EMEI

© All rights in and to this material are the sole property of Entrematic AB. Rights reserved for changes without prior notice. Copying, scanning, alterations or modifications are expressly forbidden without the prior written consent of Entrematic AB. Rights reserved for changes without prior notice.



STATE WHEN ORDERING

- COW = mm
- CL = mm
- SBL = mm
- LAP = mm
- G = mm
- DW = mm
- Door Weight = kg

Surface treatment

- Silver anodized
- Special anodized
- RAL
- Special powder coating

	Alt.1	Alt.2	
Overlap (min. 20mm)	LAP	LAP
Finger protection (min. 25mm)	E	E
Finger protection (min. 25mm)	-	F
Jamb width (min. 30mm)	J	J
Cover overlap (min. 100mm)	M	M
Leading edge width	-	P
Sum of above	Sum =.....		

Alt.1 COW = K	K =	K + LAP = DW	DW =
Alt.2 COW + P + F = K	K =		
Cover length CL	(CL - Sum) / 2 = = COW max.		
Door travel COW	(COW x2) + Sum = = CL min.		

Customer: _____

Door id: _____

Project No: _____

Ref: _____

Date: _____

Sign: _____

Sliding door operator
EM PSL100 Single

ENTREMATIC

2.0 1013368-EMEI