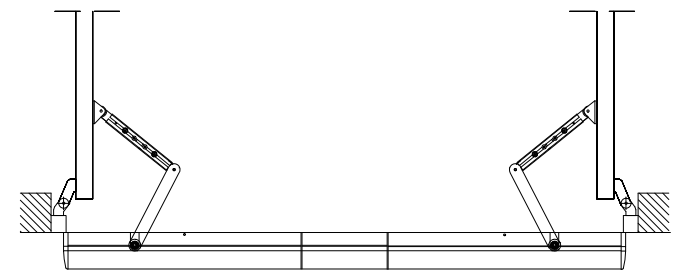
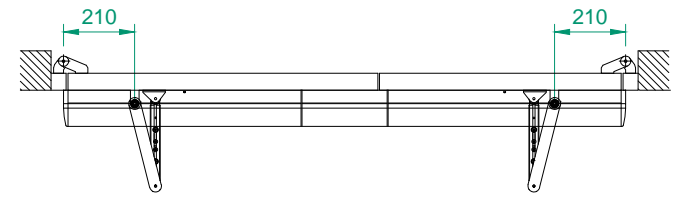
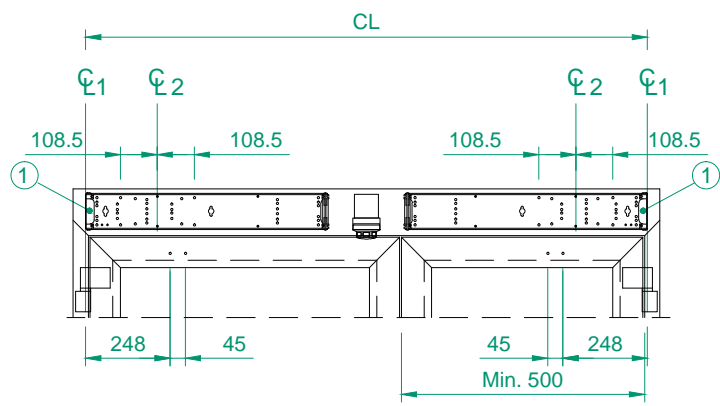


	Min. CL	Max. CL
Without smoke detector	1560	3200
With smoke detector	1657	3200

- ⌀1 Hinges
- ⌀2 Operator drive shaft
- A Reveal max. 130mm
- 1 Cable inlet
- 2 Reinforcements required in door leaf and at fixing holes

Note! State CL when ordering

Y=	Shaft extension
48	0
68	20
98	50



Customer: _____

Door id: _____

Project No: _____

Ref: _____

Date: _____

Sign: _____

ASSA ABLOY PowerSwing-2 for fire rated doors
 Arm system PUSH
 Modular cover
 Swing door operator

ASSA ABLOY

6.0 173820-en